



West Point
LINCOLN

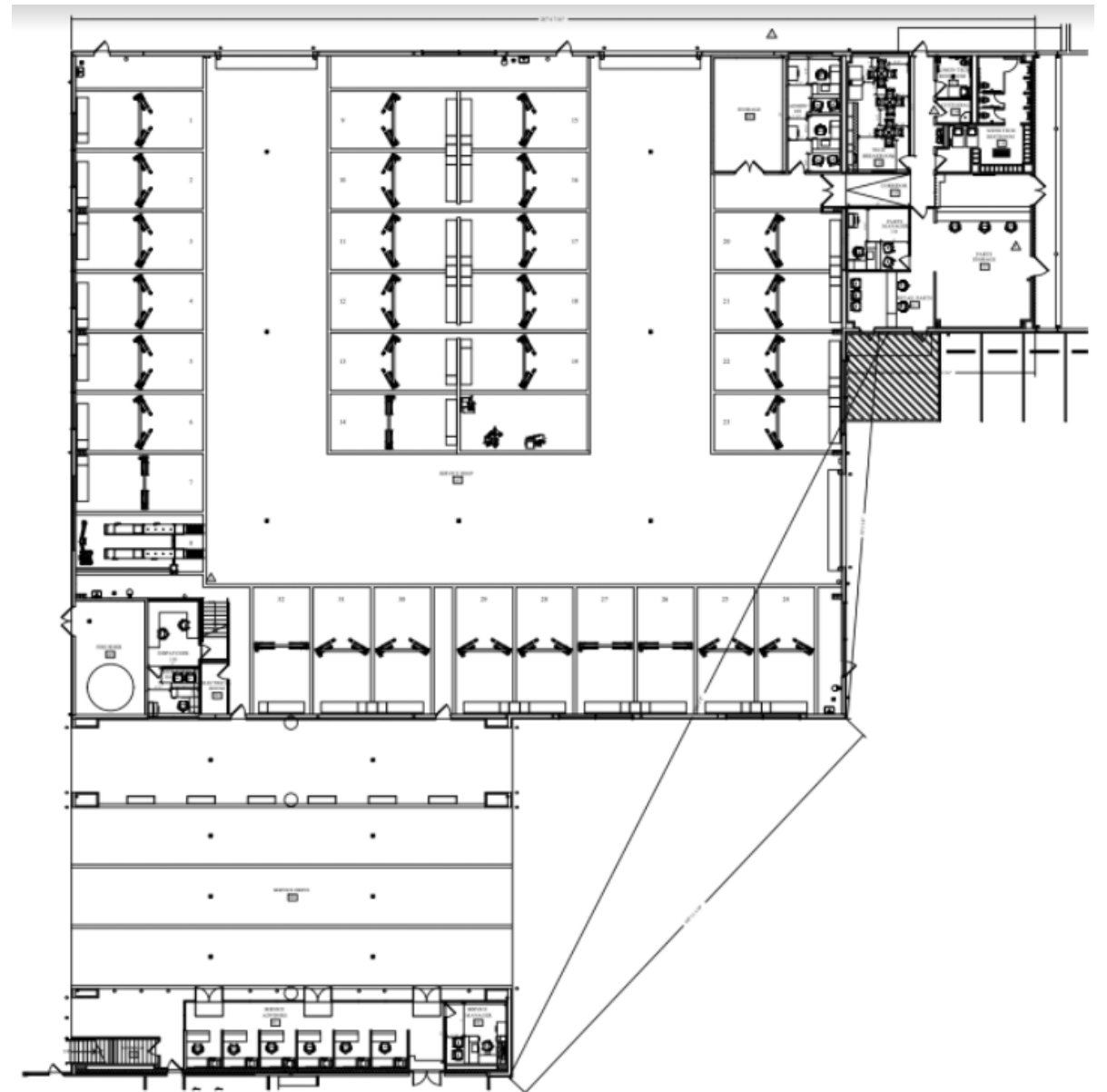
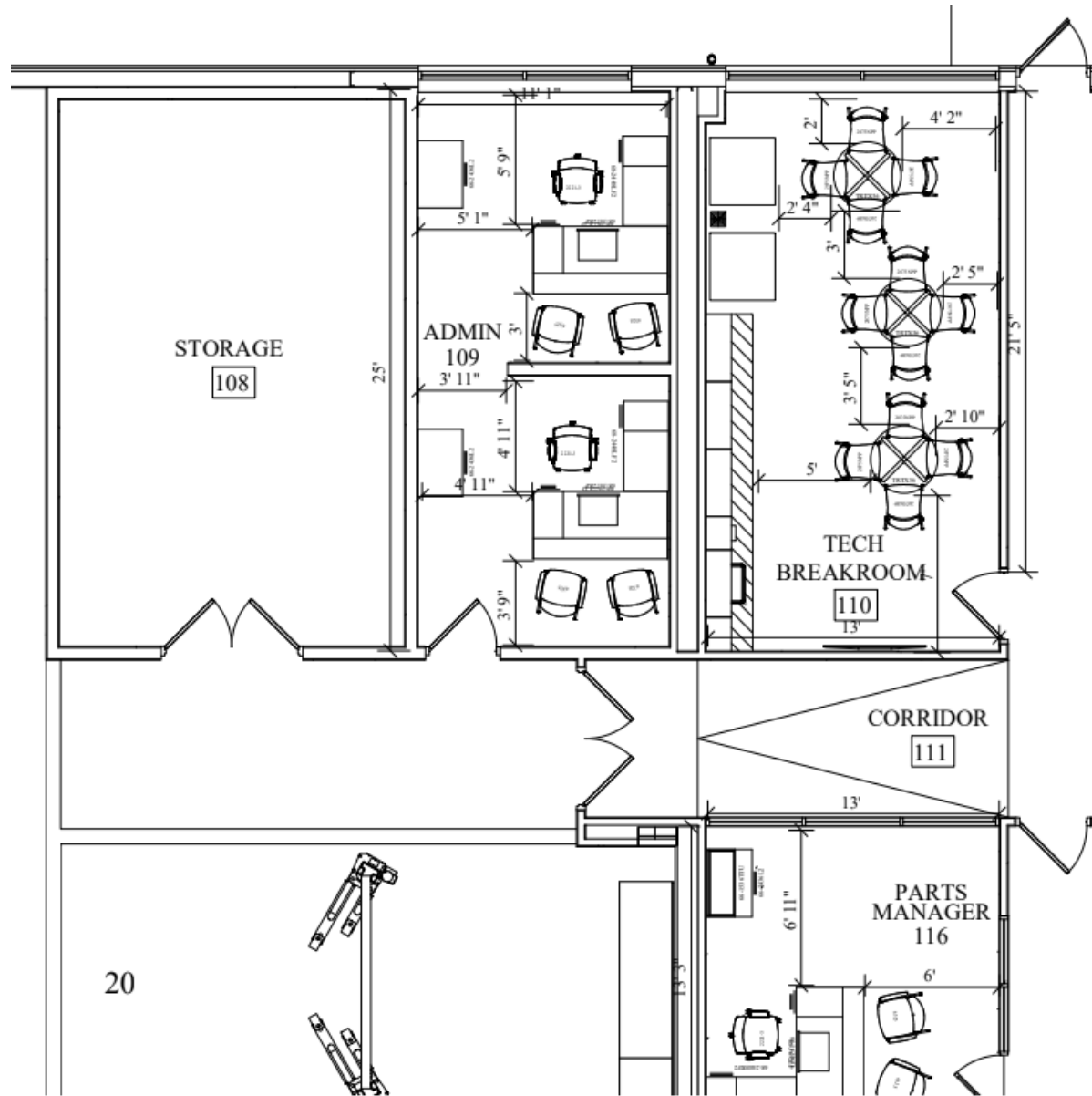


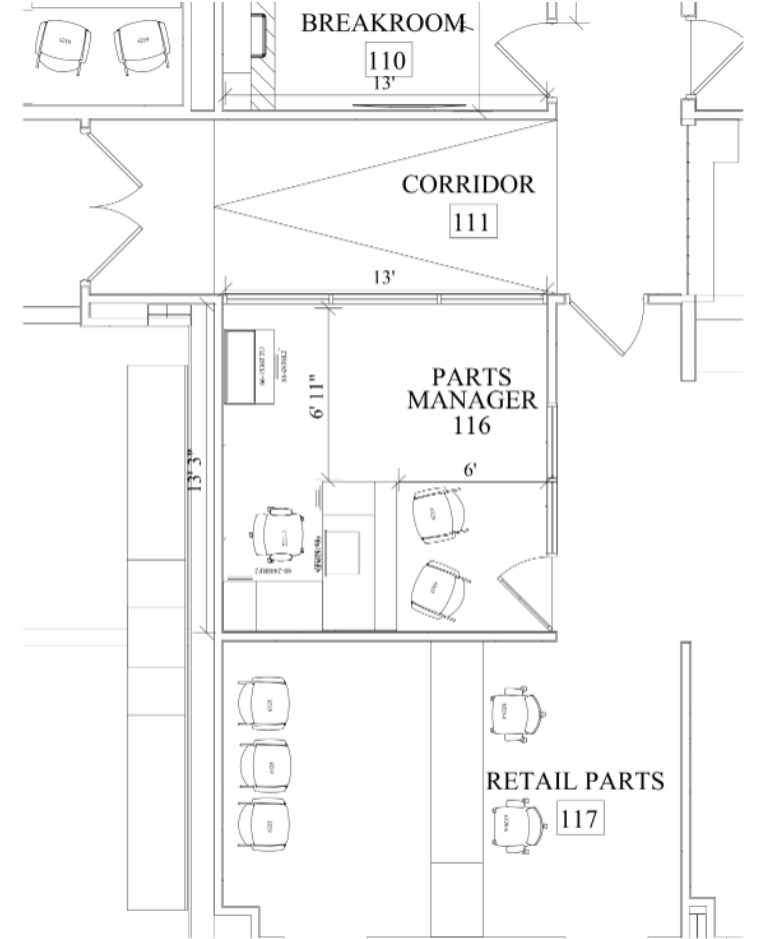
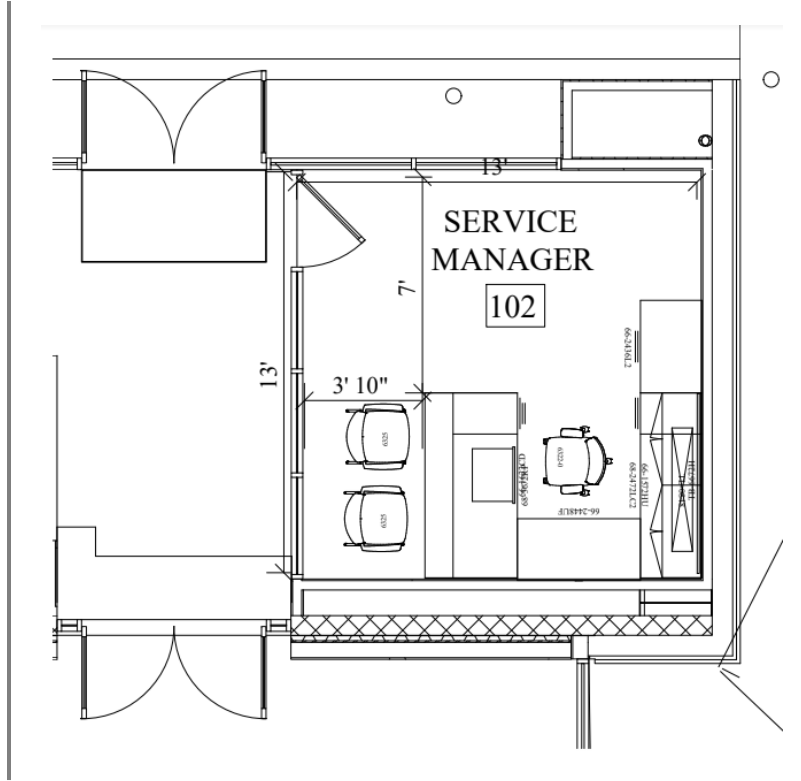
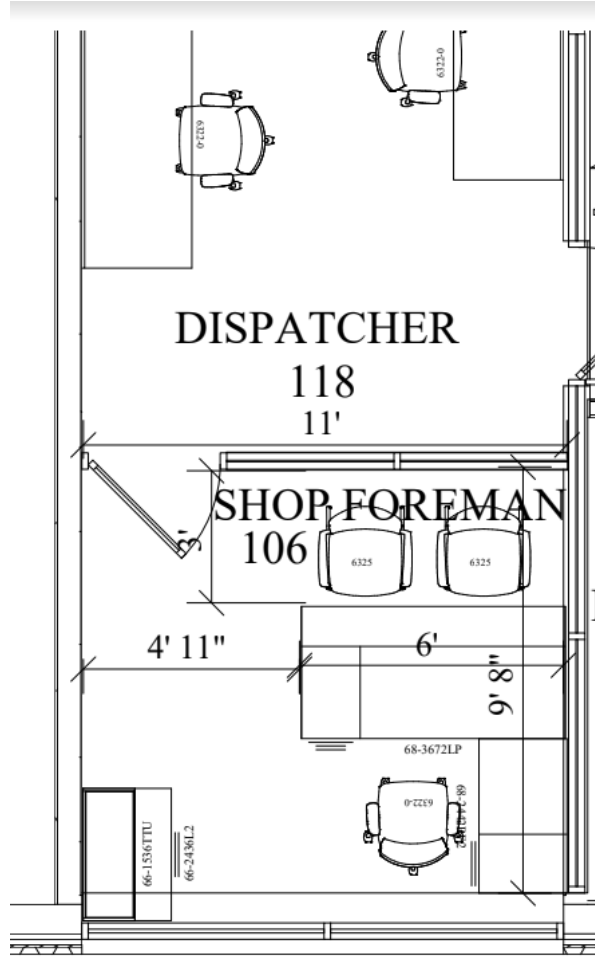
ACE OFFICE FURNITURE

HOUSTON

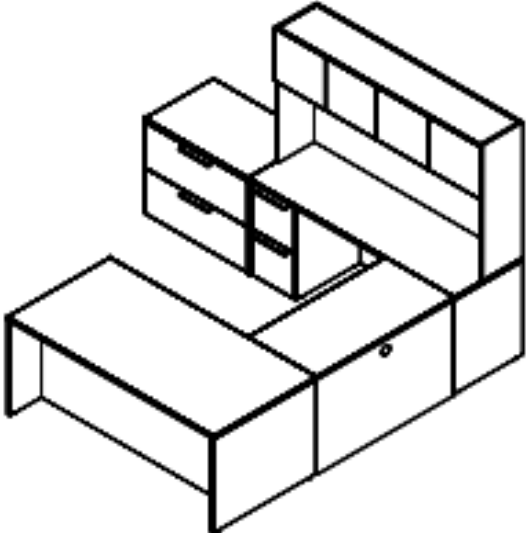
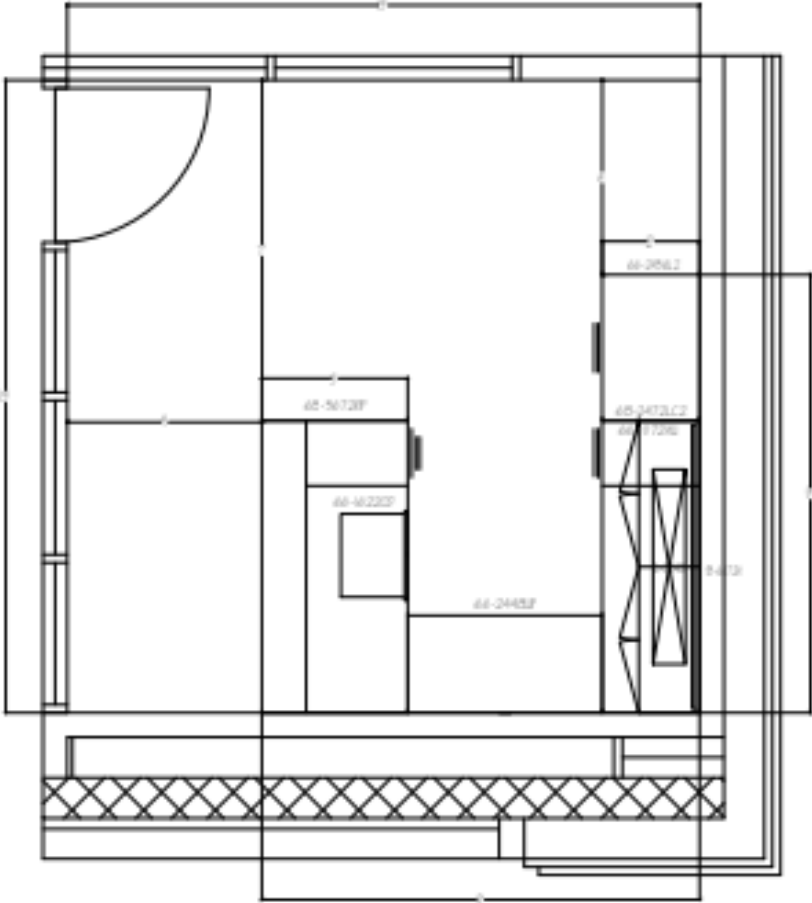
MADE IN THE USA

www.AceOfficeFurnitureHouston.com

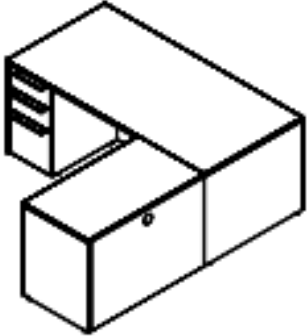
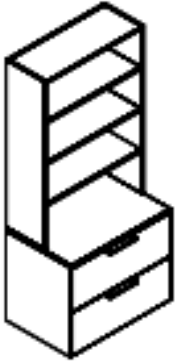
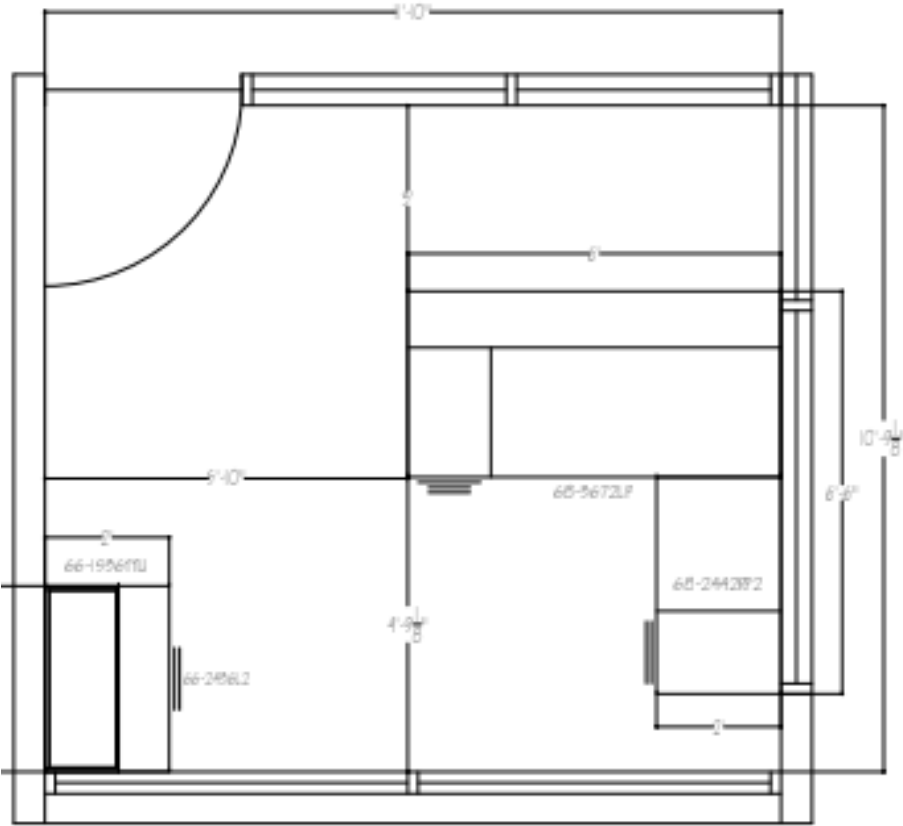




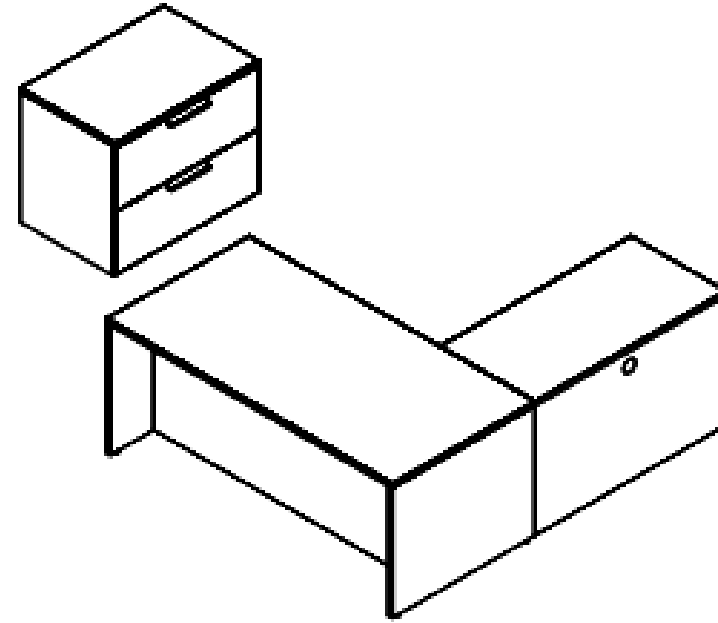
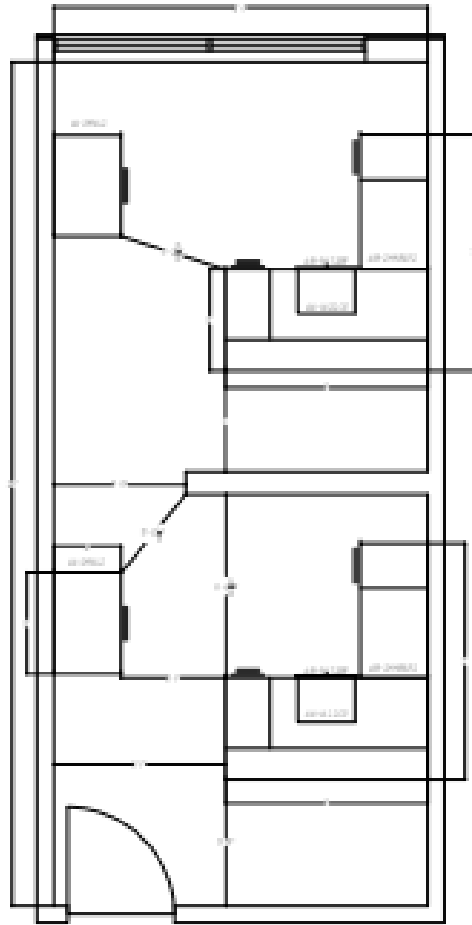
Service Manager 102



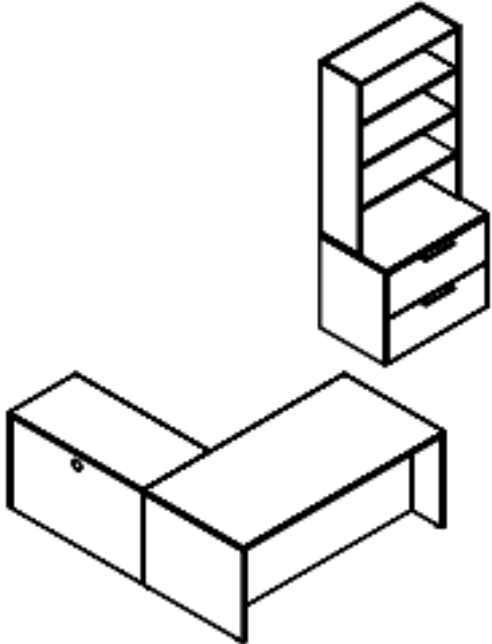
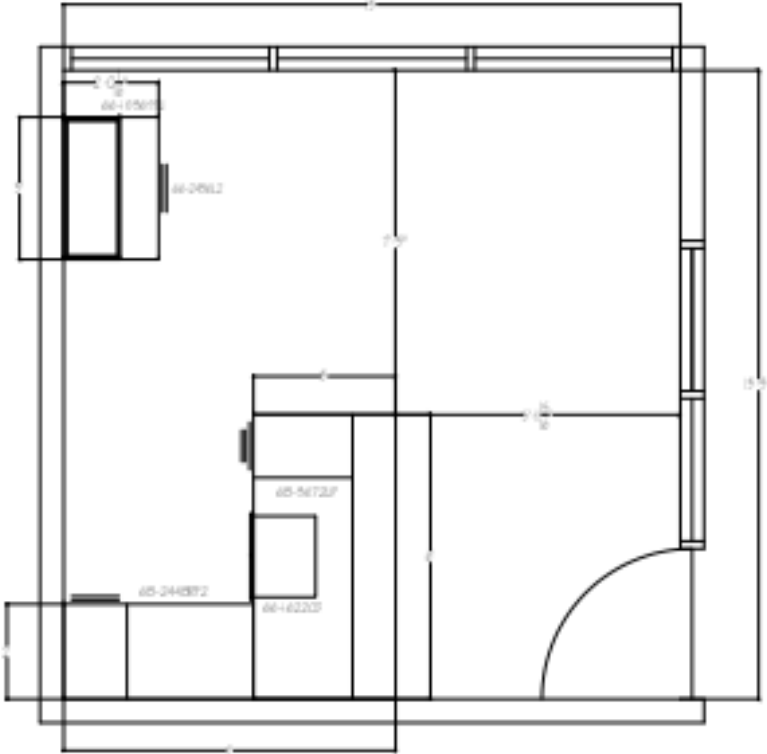
Shop Foreman 106



Admin Office 109



Parts Manager 116



Woodgrain Laminates

Available in both HPL and TFL.



SUGAR MAPLE (SM)



BEIGEWOOD (BW)



OAK RIFTWOOD (ORW)



HARVEST MAPLE (HVM)



STUDIO TEAK (TK)



PINNACLE WALNUT (PNW)



SHAKER CHERRY (SKC)



GOLDEN CHERRY (GC)



SELECT CHERRY (SCH)



WILLIAMSBURG CHERRY (WC)



MAHOGANY WALNUT (MW)



COLOMBIAN WALNUT (CO)



ESPRESSO WALNUT (EF)



WEATHERED ASH (WTA)



SMOKY BROWN PEAR (SBP)



ASIAN NIGHT (AS)



Double Kerf – F



Espresso Walnut EF



HOUSTON

Handle Drawer Pulls

ALUMINUM FINISH OPTIONS



ALCOVE ALUMINUM (AAV) — 5¾"



ARC ALUMINUM (AAC) — 5"



BEAM ALUMINUM (ABM) — 10¼"



BUCKLE ALUMINUM (ABU) — 4¾"



ELITE ALUMINUM (AEL) — 5"



FLAIR ALUMINUM (AFL) — 5¾"



FOCUS ALUMINUM (AFC) — 4¾"



LIBERTY ALUMINUM (ALB) — 4¾"



ORBIT ALUMINUM (AOR) — 5¾"



QUADRA ALUMINUM (AQD) — 4"



STUDIO ALUMINUM (AST) — 13"

CHROME OR NICKEL FINISH OPTIONS



ALCOVE CHROME (CAV) — 5¾"



BOW TIE NICKEL (NBT) — 5½"



FLAIR CHROME (CFL) — 5¾"



STUDIO CHROME (CST) — 13"

BLACK FINISH OPTIONS



ARC BLACK (BAC) — 5"



BEAM BLACK (BBM) — 10¼"



BOW TIE BLACK (BBT) — 5½"



BUCKLE BLACK (BBU) — 4¾"



ELITE BLACK (BEL) — 5"



FOCUS BLACK (BFC) — 4¾"



ORBIT BLACK (BOR) — 5¾"



QUADRA BLACK (BQD) — 4"



STUDIO BLACK (BST) — 13"

Vion™ Mesh Medium Back Heavy Duty Multi-Tilter (TS6322-3)



Task Chairs for Office 102 and 106

Vion™

The Vion™ family is not only design savvy, but is adaptable to any office or meeting room environment. Two back heights and five mechanisms are offered along with mesh and upholstered back varieties. With the inclusion of drafting stools, guest seating, counter height and bar height stools, as well as heavy duty models, the Vion family becomes an excellent choice for the modern office.



ACE OFFICE FURNITURE

HOUSTON



All Guest Seating

The Vion™ family is not only design savvy, but is adaptable to any office or meeting room environment. Two back heights and five mechanisms are offered along with mesh and upholstered back varieties. With the inclusion of drafting stools, guest seating, counter height and bar height stools, as well as heavy duty models, the Vion family becomes an excellent choice for the modern office.

Dimensions: W25.5 x D24 x H34.5 IN.



All Task Stool Seating



ACE OFFICE FURNITURE

HOUSTON

Weev™ Medium Back Task – Office Admin, Parts Manager & Dispatch



Beautiful, breathable mesh task seating at affordable pricing.

- The black mesh for the back of the chair is woven to breathe and give as the user leans into it removing pressure points along the spine.
- The lumbar support built into the design of the back is flexible and reshapes itself to match and support the user's body profile.
- Sliding seat depth adjustment, side activated (MD) is standard on Multi-Tilters and provides 2" of seat depth adjustment.
- Height and width (WA) adjustable GL arms. Armcaps are soft to the touch Self-Skinned Urethane (SSU). Armcaps are depth adjustable (slide forward and backward) to suit user preference.
- Vari-Width (WA) width adjustable arm extensions are standard, allowing the arms to move away from the seat by 2" on each side to allow space if desired for broader hip widths.
- Five legged, injection molded, fiberglass reinforced, nylon "Governor" base. Optional polished aluminum finish.
- Dimensions: W25 x D24 x H39.5 IN.



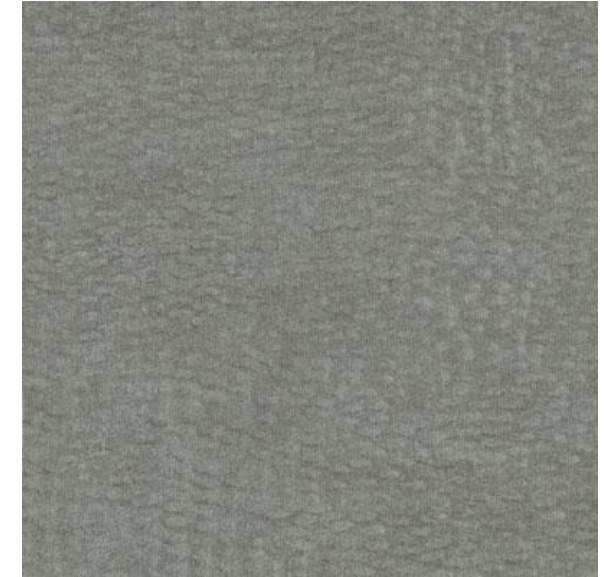
HOUSTON

BREAKROOM

Stream™ Armless Chair,
Polypropylene Seat & Back



The applause has begun for Stream,™ our latest multitasker with a chic aesthetic that sets a new bar for plastic seating. Expertly designed by Richard Douglas Rose and seamlessly detailed to the touch and eye from any angle. Designers compliment the matching arms, seating surfaces.



Canvas just keeps getting better!
We're expanding Canvas' design flexibility and amplifying functionality to better support office personalization and overall productivity.

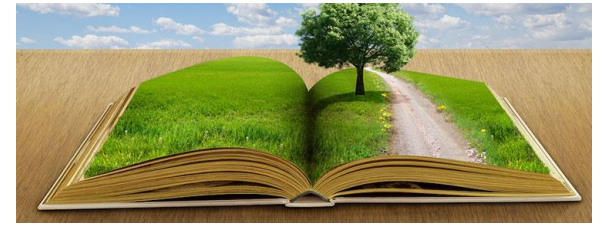
The enhancements include not only a redesign but also an expansion of integrated height adjustable units, allowing our offering of sit-to-stand options to more effectively span across both personal and shared workspaces, at a reduced price (from our previous desking height adjustability options)! New white and black glass door options on hutch and storage units as well as a full line of white and black glass marker boards provide opportunities for more elegant and clean styling. Metal accents within the line now include a broader scope of black finishes and a gold pull was added to the mix, giving you more choices to customize a look and feel for modern office environments.

Always stylish, comfortable and effortlessly adaptable, Canvas enlivens environments with refined aesthetics born from an appealing mix of materials, finishes and components. Project a fresh, polished attitude with high-gloss acrylic modesty panels and hutch doors, available in four sophisticated hues.

With an enhanced selection of multidimensional components, the creation of an ultra-functional workspace is limited only by your imagination.

Meet Studio. Boutique-inspired options and models that build upon simplicity and flexibility while allowing you to create eye-catching spaces.

Canvas offers the height adjustable feature on desks, bridges, returns and credenzas.



Our Environmental Story

We've been making wood furniture longer than just about anyone...and we want to be doing so for a long time to come. That's a large part of why we take a stewardship approach to our resources. We believe that environmental sustainability and business profits need not be mutually exclusive. They can and should exist side by side in a mutually beneficial relationship. And for more than a century, we've been showing how it's done. **Indoor Air Quality Certification**

Regulatory agencies and the furniture industry have made an effort to measure and reduce the levels of harmful chemicals emitted from furniture products. Third party testing and certification helps maintain compliance by measuring and maintaining certain maximum VOC emission concentrations. All of our products meet or exceed indoor air quality standards, and are certified to provide you with confidence in using sustainable products.

BIFMA level™

Following the development and publication of the Sustainability Guideline for Office Furniture in 2005, then the ANSI approval of the Furniture Emissions Standard in 2007, BIFMA (Business and Institutional Furniture Manufacturers Association) sought to lead the nation in a comprehensive method of proving to the world that office furniture products are made in an environmentally friendly and sustainable fashion. Indiana Furniture supports the BIFMA level™ Sustainability Standard by ensuring all of our products are certified under these guidelines.

Our UV Advantage Plus Finish

Indiana Furniture was one of the first to use an ultraviolet finish on all exposed surfaces – not just the top surface, and to offer the UV finish as standard on five case good series – not just as an option. UV Advantage finish is part of Indiana Furniture's continued interest in using leading-edge technology and our commitment to making responsible environmental choices.

Leadership in Energy and Environmental Design (LEED) Contribution

One important commitment to the environment is supporting and contributing to U.S. Green Building Council's LEED Program – Leadership in Energy and Environmental Design. The LEED program is a voluntary certification system designed to promote buildings that are environmentally responsible, profitable, and healthy places for people to live and work. The U.S. Green Building Council also encourages companies to identify opportunities to salvage and reuse furniture in project design and research potential material suppliers



Warranty

Subject to the limitations set forth in this warranty, Indiana Furniture Industries, Inc. (“Indiana Furniture”) warrants to the original purchaser all product in this price (“Product”) to be free from defects in material and workmanship given normal use for a 12-year period from the date of manufacture. During the applicable warranty period, Indiana Furniture, as its sole obligation, will repair or replace (in Indiana Furniture’s sole discretion) any Product or component covered by this warranty and sold after February 10, 2020, which fails under normal use as a result of a defect in material or workmanship. Normal use is defined as the equivalent of a single shift, 40-hour work week. Indiana Furniture will repair or replace the defective Product, part, or component with a comparable part, or component.

Warranty periods are limited for certain Products and parts as follows:

12-year Warranty (from the date of manufacture)

- Seating Mechanisms
- Veneers
- Laminates
- Casters and Glides

7-year Warranty (from the date of shipment)

5-year Warranty (from the date of manufacture)

- Triple Play Series
- Electrical Components
- Pneumatic Cylinders
- Textiles, Foam, and Decorative Trim
- Swivel Arm Pads
- Keyboard Kits
- Lighting
- All Height Adjustable Mechanisms



ACE OFFICE FURNITURE
HOUSTON

Durability Testing

BIFMA and ANSI Testing

Indiana Furniture is a member of the Business and Institutional Furniture Manufacturers Association (BIFMA). Tests developed by the Business and Institutional Furniture Manufacturers Association (BIFMA) and approved by the American National Standards Institute (ANSI) determine the strength and durability of casegoods and seating in its everyday use. Although this testing does not serve as a warranty or guarantee, Indiana Furniture products are designed and built to meet or exceed applicable BIFMA and ANSI standards.

ASTM Testing

To ensure that our products are beautiful with a smooth, radiant finish for years to come, Indiana Furniture strives to find the most durable finishes in the market. Our UVAdvantage, used on select series, is one example. UVAdvantage is the most durable finish in the market today according to an independent test facility.





DeMontroind
CONROE + HOUSTON + TEXAS CITY

Centurion Pipeline L.P.



HPO Global  HPO Global Resources Ventures Inc

ALFRED TALKE
Logistic Services

 **DLTRADING**



Davita
bringing quality to life™



KIDDIE 
ACADEMY.
EDUCATIONAL CHILD CARE

HOME 
SUITES BY HILTON

SYNERGEN 



 Ervin Cable Construction, LLC





ACE OFFICE FURNITURE

HOUSTON



ACE OFFICE FURNITURE HOUSTON'S MISSION STATEMENT

OUR MISSION STATEMENT IS TO DEVELOP AND SUSTAIN LONG LASTING BUSINESS RELATIONSHIPS WITH EACH CUSTOMER IN ORDER TO COLLABORATIVELY MEET ALL OF YOUR OFFICE FURNITURE NEEDS, WHILE KEEPING CUSTOMER SERVICE AS OUR NUMBER ONE PRIORITY.

- WHO WE ARE -

Ace Office Furniture Houston (AOF) is a leading provider of high-end, executive quality office furniture solutions for businesses in Houston and surrounding Texas cities that are beginning, expanding, upgrading, and/or moving. We offer what might be needed to outfit an office space, including new and remanufactured office cubicles. Our workspace design consultants work closely with clients, advising and guiding them through the process of conceptualizing, designing, selecting, delivering and installing their furnishings. If your business is in Houston or the Texas Gulf Coast area, Ace Office Furniture Houston is the place to visit for flexible and affordable solutions for your office furniture and space planning needs.

